

# XFP

range



1 or 2 loop EN54  
networkable analogue  
addressable fire panels



LPCB Ref. 176b  
to BS EN 54 pts 2 & 4

*You're safe with*



# 1 or 2 loop EN54 networkable analogue addressable fire alarm panels

## XFP range



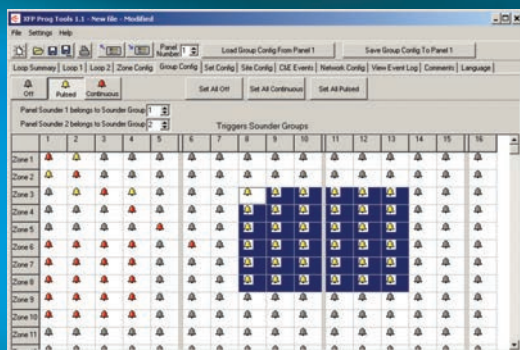
XFP single loop 16 zone panel



XFP 1 or 2 loop 32 zone panel



Stainless steel enclosure



Sophisticated sounder group mapping (above) and complex cause and effect scenarios can be easily implemented using the XFP's intuitive upload-download programming software.

C-TEC's XFP range of networkable analogue addressable fire panels offer high performance at a competitive price.

Certified to the latest versions of EN54 parts 2 & 4 by the Loss Prevention Certification Board, two versions are available - a cost-effective single loop 16 zone panel in a plastic enclosure and a robust 1 or 2 loop 32 zone metal panel.



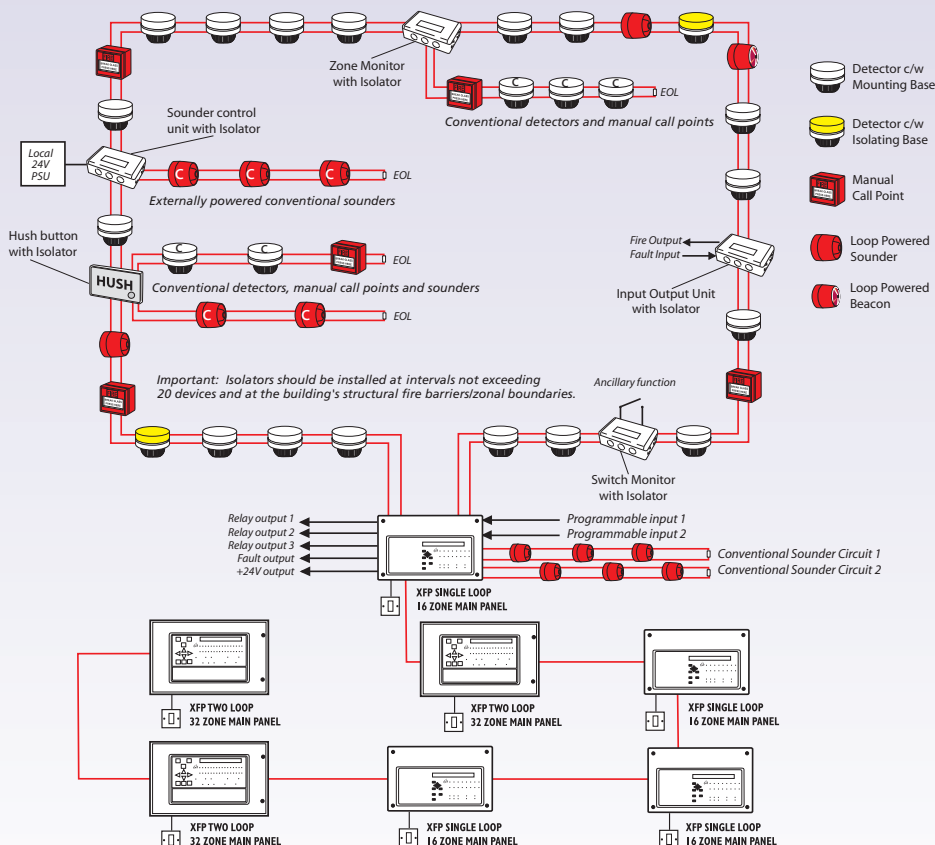
Ideal for use in office blocks, shopping complexes and big industrial sites as well as smaller stand-alone applications, both versions offer an array of user and installer-friendly features, including:-

- ▶ Full compatibility with Apollo's XP95/Discovery & Hochiki's ESP protocols (C-TEC CAST protocol version coming soon)
- ▶ The ability to interconnect up to eight XFP main panels (any variant) onto a two wire RS485 network. Alternatively, up to eight XFP repeaters can be connected to a non-networked XFP main panel
- ▶ Combined keypad / keyswitch entry to Access Levels 2 & 3
- ▶ Two independently programmable conventional sounder circuits
- ▶ Two programmable inputs
- ▶ A fault output relay and three programmable relay outputs with voltage free changeover contacts
- ▶ Three zone dependency functions (A, B & C to EN54-2 Clause 7.12)
- ▶ A day/night (building occupied/unoccupied) function
- ▶ An investigation delay period function
- ▶ Individual sensitivity settings for each device
- ▶ A phased evacuation and delays to outputs facility (to EN54-2 Clause 7.11)
- ▶ An alarm counter that records the number of times the panel has been in an alarm state (to EN54-2 Clause 7.13)
- ▶ Powerful short circuit protected loop drivers, capable of supporting up to 40 loop powered 10mA sounders per loop
- ▶ An integral EN54-4/A2 switch mode PSU rated @ 185-260V a.c. 50/60Hz (1.4A on a 16 zone panel, 3A on a 32 zone panel)
- ▶ Earth fault monitoring
- ▶ An easy to read, 80 character back-lit display
- ▶ 40 characters of custom text per device
- ▶ 999 event monitoring
- ▶ Comprehensive test facilities (to EN54-2 Clause 10) and a wide range of maintenance & commissioning functions including auto-learn loops, monitor a point, test outputs, one man walk test and loop continuity test
- ▶ An intuitive Windows based upload-download PC program that allows the system to be programmed quickly and easily
- ▶ Fully compatible with C-TEC manufactured addressable ancillaries (Hush Buttons, VADs, Sounders & Voice Sounders)
- ▶ Optional flush-mounting stainless steel enclosures available (for 32 zone XFP panels only)

## TYPICAL WIRING

Below is a diagram of a typical XFP analogue addressable loop fitted with a selection of detectors, loop powered sounders, modules and isolators, all connected to an XFP single loop 16 zone panel.

The diagram also illustrates how a series of XFP main panels can be networked using the range's powerful RS485 network.



This diagram is provided for illustration purposes only and you should always refer to the relevant XFP panel/device instructions as appropriate before installation. Note that the descriptions and availability of the devices shown may not be applicable to all manufacturer's protocols.

## KEY FEATURES OF THE XFP'S NETWORK PROTOCOL

The XFP's network protocol allows the interconnection of up to eight XFP main panels (any mix) over a two-wire RS485 network. Alternatively, the network can be used to connect up to eight XFP repeaters to one XFP main panel. It is not possible to mix XFP main panels and repeaters on the same network.

### Key features of the XFP's network protocol when used for interconnecting XFP main panels:

- ▶ Allows the interconnection of up to eight XFP main panels (any mix of single loop 16 zone XFPs and 1 and 2 loop 32 zone XFPs).
- ▶ Up to 1 km of cable may be fitted to an XFP main panel network.
- ▶ Each networked XFP main panel can be programmed to accept Fires, Faults and Control actions such as Silence Alarm Sounders and Control Panel Reset from other main panels. They will also Accept Disablement commands for zones, sounders and output sets from other main panels.
- ▶ All panels monitor all other panels for network wiring faults.
- ▶ Fires on remote panels are displayed on local panels including the point description of the alarm's origin.
- ▶ Faults on remote panels are displayed on local panels including the point description of detectors.
- ▶ Cause and effects can be programmed into local panels dependent on which remote panel is in alarm.
- ▶ The network supports the programming of site data into remote panels from a PC at a local panel.
- ▶ Time and date is common to all panels throughout the network.
- ▶ All networked main panels require a network communication card.

### Key features of the XFP's network protocol when used for connecting XFP repeaters

- ▶ Allows the connection of up to eight XFP repeaters to one non-networked main panel. The XFP main panel must have a network communication card fitted.
- ▶ Up to 500m of cable may be fitted to an XFP repeater network.
- ▶ Each XFP repeater offers all the functions and controls of an XFP main panel.

## XFP ORDER CODES

### XFP SINGLE LOOP 16 ZONE FIRE PANELS - LPCB approved to EN54-2/4

XFP501E/X	XFP Networkable single loop 16 zone panel (XP95/Discovery) Keypad/keyswitch entry, c/w 1.4A psu, plastic enclosure
XFP501E/H	XFP Networkable single loop 16 zone panel (Hochiki ESP) Keypad/keyswitch entry, c/w 1.4A psu, plastic enclosure

### XFP 1 LOOP 32 ZONE FIRE PANELS - LPCB approved to EN54-2/4

XFP501/X	XFP Networkable one loop 32 zone panel (XP95/Discovery) Keypad/keyswitch entry, c/w 3A psu, metal enclosure
XFP501/H	XFP Networkable one loop 32 zone panel (Hochiki ESP) Keypad/keyswitch entry, c/w 3A psu, metal enclosure

### XFP 2 LOOP 32 ZONE FIRE PANELS - LPCB approved to EN54-2/4

XFP502/X	XFP Networkable two loop 32 zone panel (XP95/Discovery) Keypad/keyswitch entry, c/w 3A psu, metal enclosure
XFP502/H	XFP Networkable two loop 32 zone panel (Hochiki ESP) Keypad/keyswitch entry, c/w 3A psu, metal enclosure

### XFP REPEATERS\*

XFP510-16	XFP Networkable repeater panel, 16 zones (all protocols) Keypad/keyswitch entry, c/w psu, plastic enclosure
XFP510-32	XFP Networkable repeater panel, 32 zones (all protocols) Keypad/keyswitch entry, c/w psu, metal enclosure

### XFP BEZELS/ENCLOSURES\* for XFP 32 zone main & repeater panels only

AFP385	Flush mount bezel (for XFP 32 zone main & repeater panels)
BF359/3S	Stainless steel glazed enclosure (for XFP 32 zone panels only)
BF359/3CL	Cam lock kit for BF359/3S enclosure
BF359/3SL	Electromagnetic solenoid lock kit for BF359/3S enclosure

Note that XFP 16 zone panels have been designed so they can be surface or semi-flush mounted without the need for an additional bezel

### XFP NETWORK COMMUNICATION CARDS\*

CFP761	XFP network communication card for XFP 16 zone main panels
AFP711	XFP network communication card for XFP 32 zone main panels (One network communication card is required per networked main panel. Note that repeater panels are supplied with a network communication card already fitted).

### XFP PROGRAMMING SOFTWARE\*

XFP507	XFP Upload download software kit (all protocols) Windows 98, 2000, XP. Includes programming lead
SAF7070000	2m Programming lead ONLY

### XFP PRINTER KITS\*

AFP709	XFP off-board printer kit
--------	---------------------------

\* Repeaters, bezels / enclosures, network communication cards, programming software and printer kits are not included within the scope of the XFP's LPCB approval

**C-TEC 'CAST' protocol XFP addressable fire panels coming soon - visit [www.c-tec.com](http://www.c-tec.com) for details**



The LPCB stamp of approval is recognised worldwide and demonstrates that the XFP has been tested and certified as being compliant with EN54 parts 2 and 4 by the Loss Prevention Certification Board.

*You're safe with*



# XFP Technical Specifications

	SINGLE LOOP 16 ZONE XFP PANELS XFP501E/X; XFP501E/H	ONE OR TWO LOOP 32 ZONE XFP PANELS XFP501/X; XFP501/H; XFP502/X; XFP502/H
<b>Power Supply Specification</b>		
Mains supply	230V a.c. ± 10% 50/60Hz. Max current 350mA	230V a.c. ± 10% 50/60Hz. Max current 680mA
Internal power supply	27V d.c. Nominal	27V d.c. Nominal
Total output current limited to	1.4A @ 230V a.c.	3A @ 230V a.c.
Power rating	I <sub>max</sub> . a = 210mA; I <sub>min</sub> . = 40mA	I <sub>max</sub> . a = 250mA (1 loop) 270mA (2 loop); I <sub>min</sub> . = 70mA
Maximum internal resistance	Ri max. - 1.1Ω	Ri max. - 1.1Ω
Supply and battery charger monitored for failure	Yes	Yes
Batteries monitored for disconnection and failure	Yes	Yes
Batteries protected against deep discharge	Yes	Yes
Max. battery size and type	3.2 Ahr VRLA	7.0 Ahr VRLA
Specified batteries for LPCB approved systems	2 x Yuasa NP3.2-12	2 x Yuasa NP7-12
Quiescent current drain	< 50mA (1 loop unloaded)	< 80mA (1 loop unloaded); <100mA (2 loops unloaded)
Earth fault monitoring	Yes (any conductor)	Yes (any conductor)
Temperature compensated charging	Yes	Yes

<b>Loop Driver Specification</b>		
Number of loop drivers	1	1 (XFP501/X; XFP501/H); 2 (XFP502/X, XFP502/H)
Line monitored for open and short circuit faults	Yes	Yes
Onboard loop isolators with LED indication when active	Yes	Yes
Auto-polling from each loop end	Yes	Yes
Max. loop output current	500mA (Voltage: 25V min, 34V max)	500mA (Voltage: 25V min, 34V max)
Max. number of addressable devices per loop	126	126
Max. number of loop powered sounders per loop @ 10mA	40	40
Number of programmable sounder groups	16	16
Number of programmable output sets	16	16

<b>Conventional Sounder Circuit Specification</b>		
Number of programmable circuits	2	2
End of line resistor value	6800 Ω 5% Tol. 0.25 W	6800 Ω 5% Tol. 0.25 W
Line monitored for open and short circuit faults	Yes	Yes
Outputs fused at	400mA. Protected by resettable overload circuit	400mA. Protected by resettable overload circuit
Output voltage	19.5V minimum; 28V maximum	19.5V minimum; 28V maximum
Max. number of sounders @ 20mA	40	80

<b>Auxiliary Outputs</b>		
Type	Relay voltage free single pole changeover	
Max switching current	1A	
Max switching voltage	30 V d.c.	
Relay 1/ Relay 2 / Relay 3	Programmed from cause and effect	
Fault	Active when no faults are present	
'24V' Aux Power Output	19.5V min, 28V max. Max current 100mA. Protected by resettable overload circuit	

<b>Auxiliary Inputs</b>		
Input 1	Connect to 0V to trigger. Max input voltage 27V d.c. (non-latching). Programmable from cause and effect.	
Input 2	Connect to 0V to trigger. Max input voltage 27V d.c. (non-latching). Programmable from cause and effect.	

<b>Fuses (to IEC - EN60127 Pt2)</b>		
Mains Fuse	1A HRC Ceramic 20mm	1A HRC Ceramic 20mm
Battery Fuse - limits the current drawn from the battery	1.6A F 20mm	3.15A F 20mm

<b>Panel Indicators and Controls</b>		
Keyswitch	Plastic key operated	Metal key operated
Control buttons	Silence, Reset, Resound, Investigate; More Information; Menu	
Event scrolling and menu access buttons	Up (1); Down (2); Accept (3); Abort (4)	
Liquid Crystal Display	Two lines x 40 characters, backlit	
Number of Zonal LED indicators	16	32
Other LED indicators	General Fire, System Energised; Pre-Alarm; Remote Output Activated; Menus Accessed; Disablement; Test; Remote Output Disabled; Silenced; General Fault; System Fault;	

<b>Physical Dimensions</b>		
Approx. dimensions of back box (W x H x D)	380 x 235 x 77mm (plastic). Includes 'lip'.	410 x 250 x 80mm (metal)
Approx. dimensions of lid (W x H x D)	380 x 235 x 16mm (plastic)	439 x 274 x 7mm (metal)
Approx. weight (without batteries)	1.8Kg	4.5kg

<b>Cabling Requirements</b>		
Type of cable	Fire resistant screened cable, minimum size 1mm <sup>2</sup>	
Max. cable length per loop	1km	
Connector blocks	Plug-on type, largest acceptable conductor size 1.5mm <sup>2</sup>	
Max. allowable loop impedance (each conductor)	20 Ω	
Max. cable capacitance	.27μF	

<b>Network Specification</b>		
Connection	Via CFP761 network driver card fitted at main panel	Via AFP711 network driver card fitted at main panel
Max. no. of main panels per network	8	8
Max. no of repeaters per non-networked main panel	8	8
Max. cable length per network	1km (main panel network); 500m (repeater network)	1km (main panel network); 500m (repeater network)

<b>PC/Printer Interface</b>		
PC connection	Via main panel RS232 molex connector (lead supplied in XFP507 upload/download software kit)	
Printer connection	Not applicable	Via main panel RS232 connector block.

<b>Operating conditions</b>		
The components are selected to operate within their specification when the environmental conditions outside the enclosure comply with class 3k5 of IEC 721-3-3 : 1978.		
Temperature range:- -5 to +40°C. Maximum relative humidity: 95%		



Manufactured by C-TEC, Challenge Way, Wigan, WN5 0LD. England  
Tel: +44(0)1942 322744. Fax: +44(0)1942 829867. Email: sales@c-tec.co.uk

[www.c-tec.com](http://www.c-tec.com)



Quality System Certificate No: 176  
Assessed to ISO9001 : 2008

