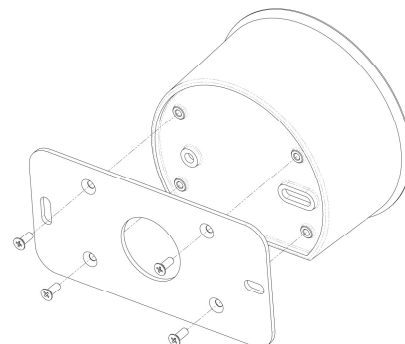


326-0015 Sita Weatherproof Strobe

General Description

The Sita Strobe unit allows for visual indication when the system enters an alarm condition. This is an addressable unit that attaches to the loop. Digital communication technology to the control panel is implemented allowing for accurate data transfer at high transmission speeds. This device is only compatible with the Sita 200+, Duonet and Quadnet ranges of control panels.

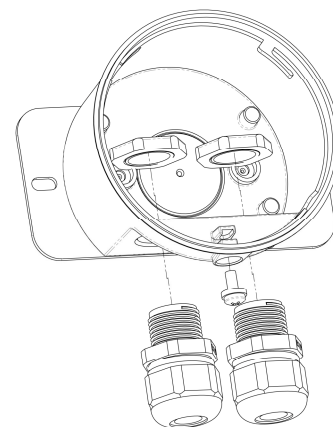


Before Installation

The Strobe must be installed in compliance with the control panel installation manual. The installation must also meet the requirements of any local authority. For maximum performance the device should be installed in compliance with BS 5839 Pt1 : 2002 + A2 : 2008.

Spacing

Fike recommends spacing of strobes in accordance with BS 5839. For more specific information regarding strobe spacing, placement and special applications please refer to BS 5839 Pt1 : 2002 + A2 : 2008.



Device Installation

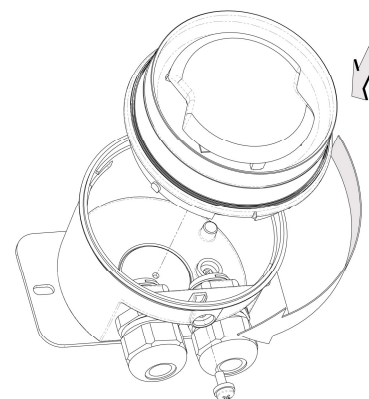
Fit the wall-mount bracket to rear of the base as shown. Note that this product must be wired using the cable glands provided. Any other installation method will compromise sealing integrity.

The device should be mounted so that cable entry is from the underside of the unit.

Drill the cable entry region(s) in the base moulding as required using a 20mm diameter drill. It is imperative that all burrs are removed from the drilled holes and that the adjacent surfaces are smooth and flat.

Affix the wall-mounting unit in the desired location with 2 screws.

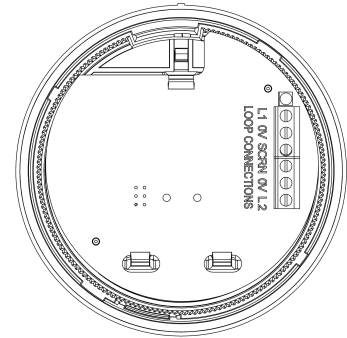
All wiring must be installed in compliance with the recommendations laid out by BS 5839 as well as any special recommendations documented in the control panel installation manual.



The cabling used should be of a 2-core 1.5mm² screened, fire resistant type, and is to be wired in the form of a screened 2-core loop returning to the control panel. The use of spurs on this system is not permitted. Cables may be terminated into the connector, as shown overleaf.

Care should be taken when terminating devices to ensure all cables are correctly sleeved and connections are secure. Improper connections will prevent a system from responding properly in the event of a fire.

Terminal	Description
L1	Loop +ve IN
0V	Loop -ve IN
SCRN	Screen IN
SCRN	Screen OUT
0V	Loop -ve OUT
L2	Loop +ve OUT



The Loop IN +ve (positive) and the Loop OUT +ve (positive) connections are split within the module. For cable continuity readings at the commissioning stage they must be temporarily removed and connected through. Please remember that all high voltage testing must be carried out before the installation of the electronics, otherwise the electronics will be damaged. Please also note that the SCRIN terminal should only be connected to the loop screen and NOT the building earth.

Once all testing has been carried out on the cabling and **continuity & insulation** has been proven, the Strobe can be assembled.

Before installing the Strobe, remember to note the serial number of the device (located on the rear of the unit) on to your drawings or configuration sheets to enable you to prove its location later. The address allocation for the device is carried out automatically by the control panel whilst in initialisation mode, so addresses do not need to be set manually. See the system Installation and Operating Instructions for further details.

Tamper Resistance

The Strobe incorporates a locking screw which helps prevent unauthorised removal from the base. To fit, gently insert the device, positioned so that the alignment mark on the rim is rotated slightly anti-clockwise relative to the alignment mark on the base. Rotate clockwise until the device drops in and the alignment marks meet. Tighten the locking screw, but do not over tighten.

To remove the device, unscrew the retaining screw. The device should then be turned anti-clockwise allowing it to be removed from the base.

Device Settings

The sounder mode must be configured using the relevant panel software configuration package

	Type	Description
Sound Pattern:	SP0	Sounder off

Beacon Operation

The unit includes a Visual Indication Beacon. This consists of a number of high output LEDs.

The beacon will start to operate when the device receives a command to activate. Sound Pattern SP0 must be selected via the configuration software.

Power Up

The Sita Strobe requires approximately one minute on power up to boot up its processor, charge for alarm operation and settle down to normal operation. Do not test the device or sound the alarms within the first minute after initializing the loop.

Technical Data

Dimensions:	Diameter	97mm
	Depth: inc base	84mm
	Wall mount bracket	120mm wide
Operating temperature:		-10°C to +50°C.
Flammability:		UL94-V2
IP Rating:		IP65
Voltage Range (Loop):		24 to 42V DC

System Compatibility: Sita 200 plus V2.30 onwards.
Duonet and Quadnet V1 onwards.

PRODUCT DESCRIPTION			LOOP CURRENT (mA)			
Type	Product Code	Name	Quiescent	SP0		
SNDR	326 0015	Sita Weatherproof Strobe	0.18	9.00		

			BATTERY CURRENT (mA)			
Type	Product Code	Name	Quiescent	SP0		
SNDR	326 0015	Sita Weatherproof Strobe	0.18	18.75		

			DLU RATING			
Type	Product Code	Name	SP0			
SNDR	326 0015	Sita Weatherproof Strobe	9.0			

Sita OSP versions prior to v4.05A and Quadnet/Duonet OSP versions prior to v2.02A do not include the above DLUs. Manual loop loading and battery backup calculations may therefore be required.

Technical Support

Contact your supplier for technical support on this product.

Due to the complexity and inherent importance of a life risk type system, training on this equipment is essential and commissioning should only be carried out by competent persons. Fike cannot guarantee the operation of any equipment unless all documented instructions are complied with, without variation. This unit complies with the EMC directive.

Fike's policy is one of continual improvement and the right to change a specification at any time without notice is reserved. Whilst every care has been taken to ensure that the contents of this document are correct at time of publication, Fike shall be under no liability whatsoever in respect of such contents. E&OE.