

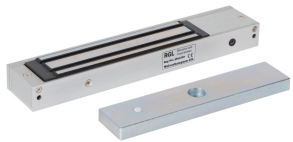
**ADDITIONAL ITEMS SHOWN IN WIRING DIAGRAMS**

**FOR USE WITH**  
**KP1000, KPX1000 & KPX2000**



**1201SM-1**

12 volt 1 Amp switchmode power supply unit with status indicators



**ML600**

Mini magnetic lock with 600lbs (280Kgs) holding force



**BK600ZL**

Adjustable Z & L Brackets for use with the ML600 range



**EBGBWC02/PTE & EDR-2N**

Request to Exit button  
Double pole Break glass unit



**RAINSHIELD, RD26-C & KP-FOB**

External Rainshield for all keypads  
Remote Wiegand reader for KPX2000  
Proximity Fob for KPX1000 & KPX2000



**Keypad Programming Instructions**

**KP1000, KPX1000 & KPX2000**



**Key features**

- 1. Full range — KP1000, KPX1000 & KPX2000**
  - a) Keypad for code entry
  - b) Backlit keys — Selectable
  - c) 500 User codes
  - d) Internal & external use
  - e) Metal case construction
  - f) Individually programmable output
- 2. KPX1000 & KPX2000**
  - a) Built-in proximity reader
  - b) 2 Open door modes (Code or card only)
- 3. KPX2000**
  - a) Weigand terminals for remote reader

## CONTENTS

Introduction	3
Technical specifications	3
How to change Default codes	4
How to change Lock relay (1) - Time delay	4
If codes are lost or forgotten	5
If Engineer code is lost or corrupted	5
Wiring diagram - Standard Break glass	6
Wiring diagram - RGL Break glass unit	7
Wiring diagram - Fail-safe/Fail-secure Strike	8
Wiring diagram - Sounder and Touch free switch	9
Wiring diagram - Double keypad	10
Enrolling 4 digit User code/Pin number	11
How to delete a User code/ Pin number	11
How to change AUX code	12
How to change AUX relay (2) - Time delay	12
Keypad backlight functions	13
How to enrol Proximity card — EM type	14
How to delete a card	14
Operating instructions	15

## OPERATING INSTRUCTIONS

Keypad must be in Standby mode

I.E. Left LED = GREEN

### USER CODE

**RELAY 1** Enter 4 digit USER CODE

Right & Left LED = GREEN  
- Signifies DOOR OPEN

When Right LED Goes out Lock will Close

**RELAY 2** Enter 4 digit USER CODE

Left LED = GREEN & Right LED = RED  
- Signifies ACTIVATED

When right LED goes out, relay is deactivated

### **PROXIMITY TAG** **(KPX1000 & KPX2000)**

Touch top part of Keypad with tag

Right & Left LED = GREEN  
- Signifies DOOR OPEN

## PROGRAMMING INSTRUCTIONS

### **KPX1000 & KPX2000**

The Keypad can enrol up to 500 Separate User Cards/Tags, each one must allocated to a user position (001-500). Please follow the procedure below in order to do so. Secure records should be kept of the number printed on the card/tags in case it becomes misplaced and needs to be deleted and re-issued. The record should be like follows.

#### Example Position Code

001	=	12776309	-	John Smith
002	=	13698962	-	Bill Brown
003	=	12345678	-	Tim Jones
Etc..				

**Please Note—You cannot issue a code and card in same the position.**

PROXIMITY CARDS (EM TYPE)		
<b>1. How to Enrol A Proximity Card (EM Type)</b>	LED SEQUENCE	
	Left	Right
Keypad in Standby Mode	●	
Press & Hold # Until Right LED turns Red		●
Enter 1234 (Engineer Code) - Within 5 Secs		●
Press 7		●
Create a 3 Digit user code position (001-500)	☼	●
Present EM Card to Keypad	●	●
Press & Hold # Until Left LED turn Green You will hear 3 Bleeps—Keypad will go back to Standby Mode	●	
<b>2. How to Delete an EM Card—Card Present</b>	LED SEQUENCE	
	Left	Right
Keypad in Standby mode	●	
Press & hold # until right LED turns red		●
Enter 1234 (Engineer code) - Within 5 secs		●
Press 8	●	●
Enter 000	●	☼
Present EM card (One to be removed)	☼	☼
Enter 1234 (Engineer Code) to confirm You will hear 3 beeps — Keypad will go back to Standby mode	●	
<b>3. How to Delete an EM card—Card not present</b>	LED SEQUENCE	
	Left	Right
Keypad in Standby mode	●	
Press & hold # until right LED turns red		●
Enter 1234 (Engineer code) - Within 5 secs		●
Press 8	●	●
Enter 3 digit user code position (One to be removed)	☼	●
Enter 1234 (Engineer code) to Confirm You will hear 3 beeps — Keypad will go back to Standby mode	●	

## INTRODUCTION

KP1000, KPX1000 & KPX2000 are vandal resistant Access Control Keypad units for internal & external applications (only with extra rainshield fitted). The unit accepts up to 500 users and provides entry via the use of pin codes or proximity cards (KPX1000 & KPX2000 only).

THE KPX2000 HAS THE FACILITY TO WIRE IN AN EXTERNAL PROXIMITY CARD REMOTE READER.

## TECHNICAL SPECIFICATION

<b>POWER SUPPLY</b>	12VDC regulated with battery backup IT IS ADVISABLE TO USE A POWER SUPPLY AT 1.5 TIMES THE CURRENT LOAD OF SYSTEM
<b>RELAY 1 For electric locks</b>	NO/COM/NC 3Amp@250VAC/30VDC It is advised that electric locks are wired into this relay
<b>RELAY 2</b>	Same as Relay 1
<b>STANDBY CURRENT</b>	Standby: 40mA Not including attached devices Max: 130mA Not including attached devices
<b>EXIT SWITCH</b>	NORMALLY OPEN (N/O) CONTACTS (Closed when pressed)
<b>BELL OUTPUT</b>	AN EXTERNAL BELL/BUZZER CAN BE FITTED THAT REQUIRES 12VDC@100mA max TO OPERATE
<b>Built-in Proximity reader READ RANGE MODULATION COMPATIBLE CARDS</b>	65mm Ask @ 125KHz All 26 -bit EM cards
<b>Environmental characteristics</b>	-30 to 63°C (Non condensing) Suitable for External use— IP55
<b>Mechanical dimensions</b>	120 L x 76 W x 27 H (mm) 410g (0.9 lbs)

**PROGRAMMING INSTRUCTIONS**  
**KP1000, KPX1000 & KPX2000**

**NOTE: ALL EXAMPLES IN THESE INSTRUCTIONS USE DEFAULT CODES BUT THESE SHOULD BE CHANGED ON COMPLETION OF INSTALLATION AND A RECORD KEPT**

Default Codes & Settings	
Engineer code	1234
Open code (Relay 1)	2580
AUX code (Relay 2)	0852
Relay 1 & 2 Open time	5 Secs

You can only enter the Engineer mode when the Keypad is in **STANDBY MODE** (12VDC APPLIED) - I.E Mode LED is Green

1. How to change Open code	LED SEQUENCE	
	Left	Right
Keypad In Standby mode	●	
Press & Hold # until right LED turns red		●
Enter 1234 (Engineer code) - within 5 secs (Now in Programme mode)		●
Press 1	●	●
Enter new 4 digit code	-	-
You will hear 3 beeps — Keypad will go back to Standby mode	●	

2. How to Change Relay 1 time delay	LED SEQUENCE	
	Left	Right
Keypad in Standby mode	●	
Press & hold # until right LED turns red		●
Enter 1234 (Engineer Code) - within 5 secs (Now in Programme mode)		●
Press 6	⚙	●
Enter 00 + 01-99 sec (00 denotes relay 1 and the next 2 digits sets time in secs)	-	-
You will hear 3 beeps — Keypad will go back to Standby mode	●	

**HOW TO CHANGE DEFAULT CODES**

3. How to change Engineer code	LED SEQUENCE	
	Left	Right
Keypad In Standby Mode	●	
Press & Hold # Until Right LED turns Red		●
Enter 1234 (Engineer Code) - within 5 Secs (Now in Programme mode)		●
Press 3	●	●
Enter NEW 4 DIGIT CODE	-	-
You will hear 3 Bleeps—Keypad will go back to Standby Mode	●	

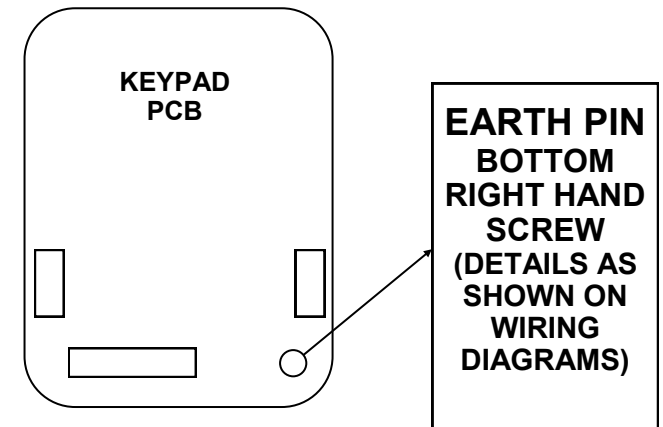
**NOTE : The Open code & AUX code need to be changed for security reasons. They will automatically disappear once programming has been actioned**

**PROGRAMMING INSTRUCTIONS**  
**KP1000, KPX1000 & KPX2000**

1. How to change Backlit key functions (Permanently OFF as default)	LED SEQUENCE	
	Left	Right
Keypad in Standby mode	●	
Press & hold # until right LED turns red		●
Enter 1234 (Engineer code) - Within 5 secs		●
Press 628	⚙	●
Enter 01 = Lights ON permanently 02 = Lights OFF ► Any keypressed ► Lights ON  00 = Lights OFF permanently (Default)	⚙	●
You will hear 3 beeps — Keypad will go back to Standby mode	●	

**STATIC DISCHARGE**

If there is an issue with static being present, then it is advisable to **EARTH** the Keypad via the **EARTH PIN** as shown below and connect directly to Incoming Earth from AC SUPPLY on Fused Terminal Block.  
**FAILURE TO DO THIS COULD CAUSE THE KEYPAD TO LOCK OUT**



INDEX (Light Sequence)	
LEFT = Mode	RIGHT = Door
Red light showing	●
Green light showing	●
Red light flashing	⚙
Green light flashing	⚙

**PROGRAMMING INSTRUCTIONS**  
**KP1000, KPX1000 & KPX2000**

<b>AUXILIARY OR RELAY 2</b>		
<b>1. How to change AUX code</b>	LED SEQUENCE	
	Left	Right
Keypad in Standby mode	●	
Press & hold # until right LED turns red		●
Enter 1234 (Engineer code) - Within 5 secs		●
Press 2	●	●
Enter new 4 digit code	-	-
You will hear 3 beeps — Keypad will go back to Standby mode	●	
<b>2. How to change Aux relay (2) - Time delay</b>	LED SEQUENCE	
	Left	Right
Keypad in Standby mode	●	
Press & hold # until right LED turns red		●
Enter 1234 (Engineer Code) - Within 5 secs		●
Press 6	☀	●
Enter 20 + 01—99 Secs You will hear 3 beeps — Keypad will go back to Standby mode 20 denotes Relay 2 next 2 digits sets time in seconds.	●	
<b>3. Auxiliary Relay Code Assignment</b>	LED SEQUENCE	
	Left	Right
Keypad in Standby mode	●	
Press & hold # until right LED turns red		●
Enter 1234 (Engineer Code) - Within 5 secs		●
Press 9	●	●
Enter 3 digit user code position you need to assign to	☀	●
Enter assignment digit to current user slot 2. Relay 2 — Auxiliary relay 3. Relay 1 & Relay 2 — Lock & AUX relay	●	●
Press & hold # until left LED turns green You will hear 3 beeps — Keypad will go back to Standby mode	●	

**IT IS POSSIBLE TO USE ONE KEYPAD FOR TWO DOORS**

HOWEVER AUX RELAY (2ND DOOR) CAN ONLY HAVE ONE DOOR OPEN CODE, WHILST LOCK RELAY (1ST DOOR) CAN HAVE UP TO 500 OPEN CODES

**PROGRAMMING INSTRUCTIONS**  
**KP1000, KPX1000 & KPX2000**

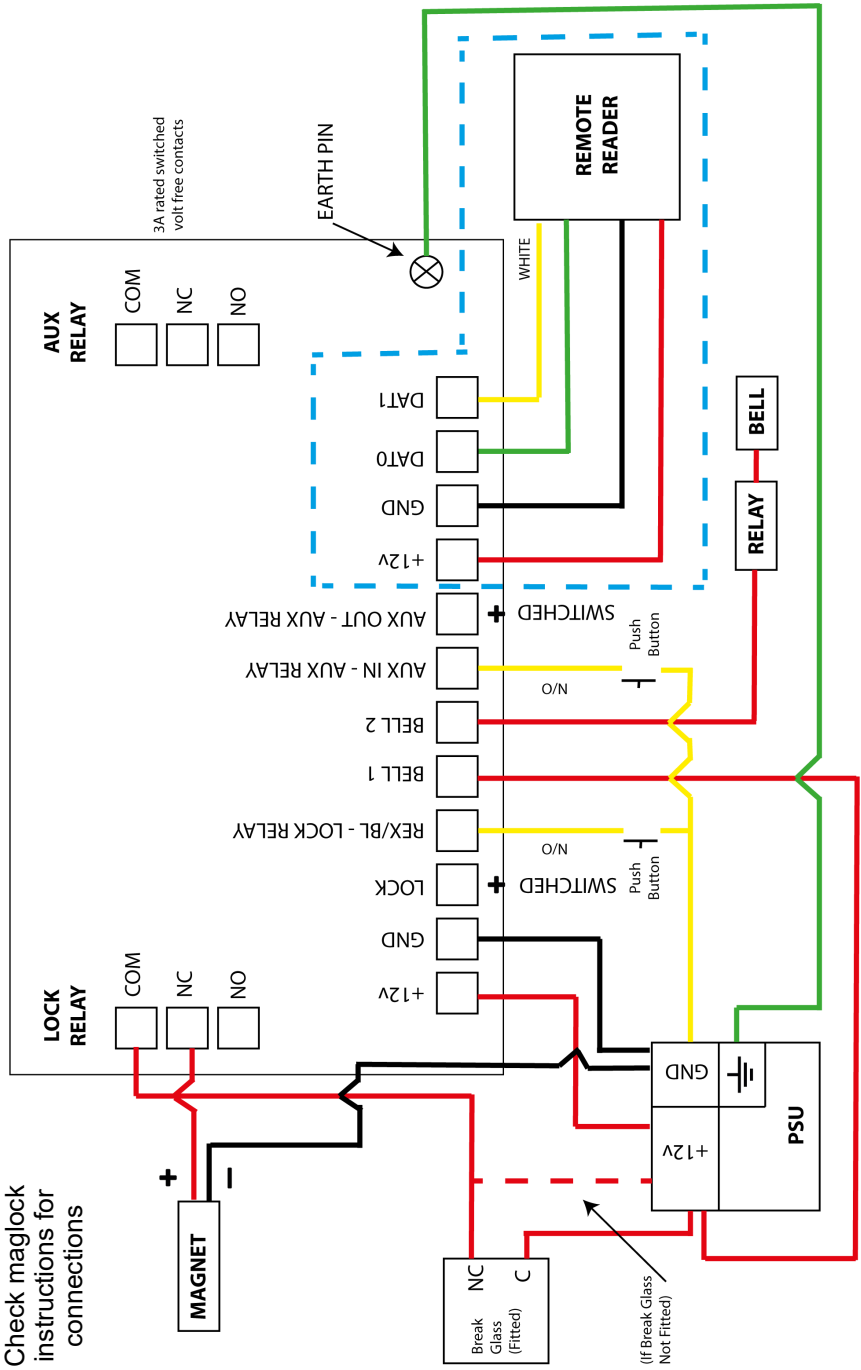
<b>IF CODES ARE LOST OR FORGOTTEN</b>		
<b>1. Restore factory default settings</b> <b>WARNING!</b> <b>THIS WILL ERASE THE ENTIRE MEMORY</b>	LED SEQUENCE	
	Left	Right
Keypad in Standby mode	●	
Press & hold # until right LED turns red		●
Enter 1234 (Engineer code) - Within 5 Secs (Now in Programme mode)		●
Press 0	☀	☀
Enter 1234 (Engineer code) You will hear 3 beeps — Keypad will go back to Standby mode	●	

<b>IF ENGINEER CODE IS LOST OR CORRUPTED</b>		
<b>1. How to restore a lost Engineer Code</b> (Ensure Exit Button is wired into REX and turn right LED Green when pressed)	LED SEQUENCE	
	Left	Right
Remove power from the keypad (minimum 1 min) (Including battery)	-	-
Press the <b>Exit Button</b> / REX button (See wiring diagram)	-	-
Apply power to the unit with <b>Exit Button</b> / REX button pressed	●	●
Release the <b>Exit Button</b> / REX button	●	
You now have 15 seconds to program a new Engineer code	-	-
Press & hold # until right LED turn red		●
Enter 1234 (Engineer Code) - Within 5 secs		●
Press 3	●	●
Enter new 4-digit Engineer code You will hear 3 beeps — Keypad will go back to Standby mode	●	

<b>INDEX (Light Sequence)</b>	
LEFT = Mode	RIGHT = Door
Red light showing	●
Green light showing	●
Red light flashing	☀
Green light flashing	☀

**NOTE: When keypad is reset to default settings, the keypad backlight will automatically come on with full illumination. If other options are preferred, see Page 13**

**WIRING DIAGRAM - STANDARD BREAK GLASS UNIT**



Check maglock instructions for connections

All cable connections should be made in the PSU enclosure, not within the keypad

**PROGRAMMING INSTRUCTIONS**  
**KP1000, KPX1000 & KPX2000**

Where only one code is required to open the door, the Engineer door Open code is suitable.

Where multiple codes are required, the procedure below will have to be followed. You can create up to 500 separate User codes with each one allocated to a user code position (001-500). A secure record should be kept like follows.

**Example Position Code**

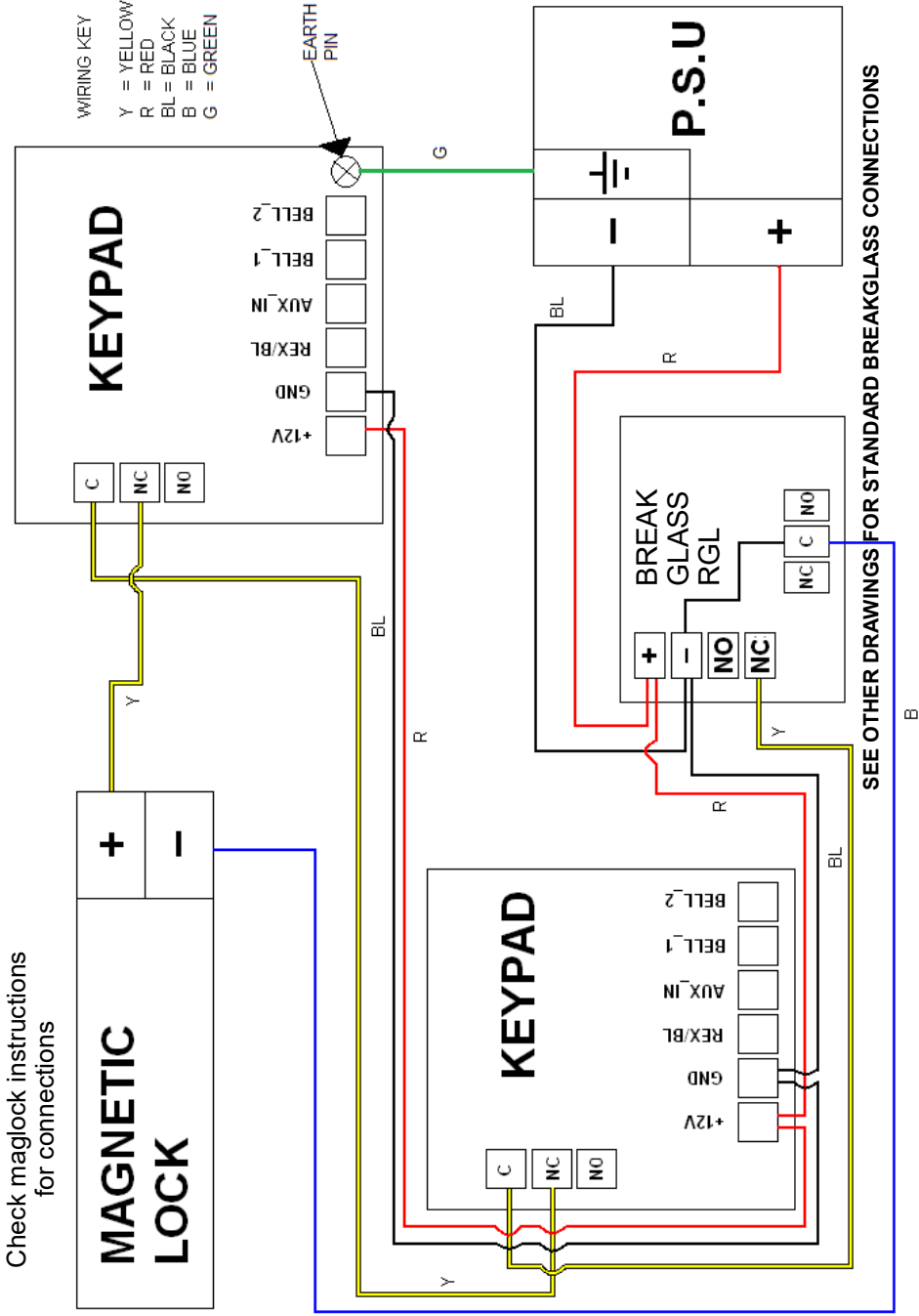
001	=	4568	-	John Smith
002	=	2345	-	Bill Brown
003	=	6789	-	Tim Jones
Etc.				

**Please Note—You cannot issue a code and card in the same position**

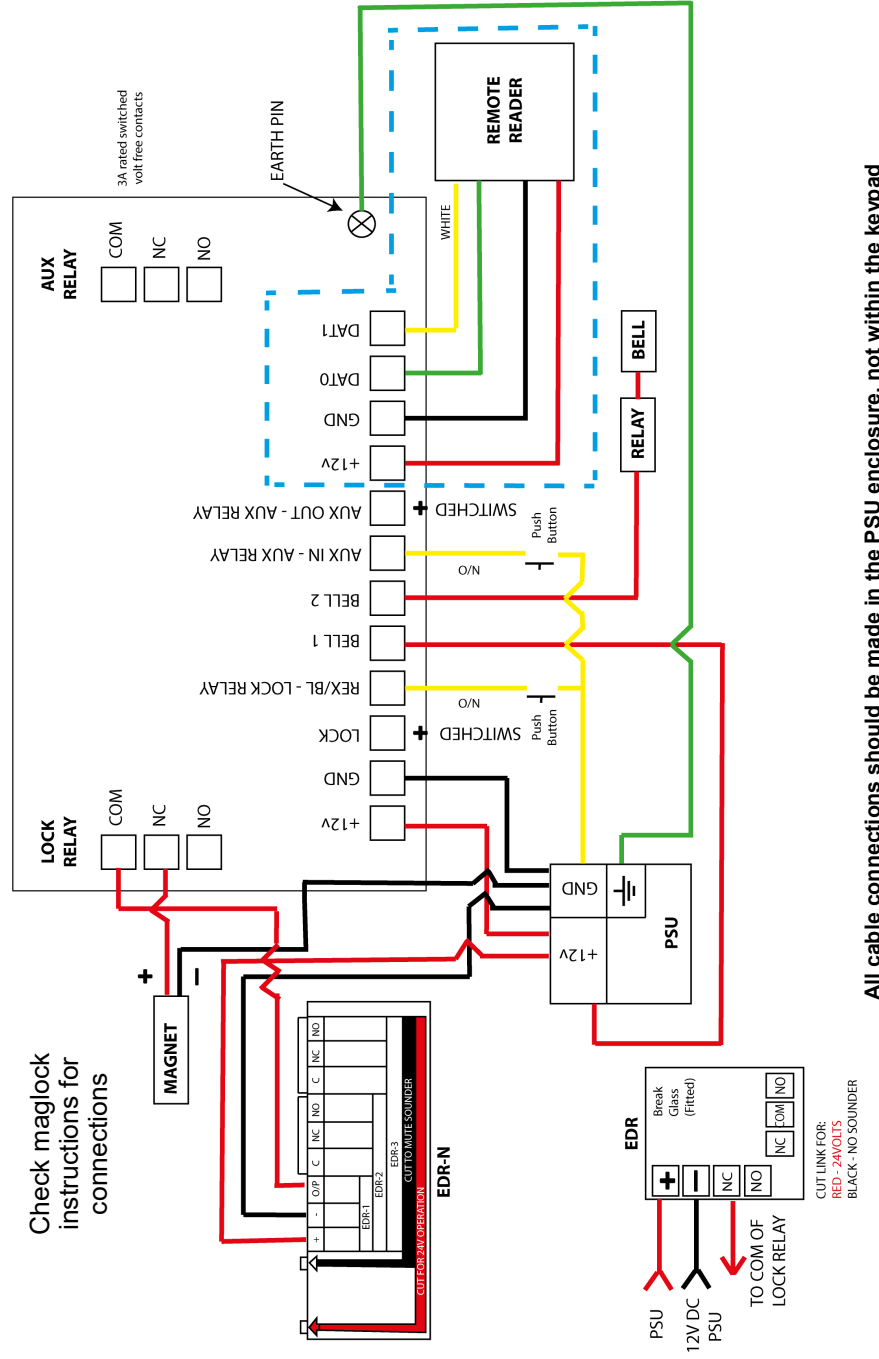
4 DIGIT USER CODES		
<b>1. How to Enrol A 4 Digit User Code</b>	LED SEQUENCE	
	Left	Right
Keypad in Standby mode	•	
Press & hold # until right LED turns red		•
Enter 1234 (Engineer Code) - Within 5 secs		•
Press 7		•
Create a user code position — 3 digits (001-500)	☀	•
Create a Pin for user	•	•
Press & hold # until left LED turn green You will hear 3 beeps — Keypad will go back to Standby mode	•	
<b>2. How to Delete a User Code</b>	LED SEQUENCE	
	Left	Right
Keypad in Standby mode	•	
Press & hold # until right LED turns red		•
Enter 1234 (Engineer Code) - Within 5 Secs		•
Press 8	•	•
Enter 3 digit user code position (One to be removed)	☀	•
Enter 1234 (Program code) to confirm You will hear 3 beeps — Keypad will go back to Standby mode	•	

INDEX (Light Sequence)	
LEFT = Mode	RIGHT = Door
Red light showing	•
Green light showing	•
Red light flashing	☀
Green light flashing	☀

**DOUBLE KEYPAD WIRING DIAGRAM**  
**KP1000, KPX1000 & KPX2000**



**WIRING DIAGRAM WITH A RGL BREAK GLASS UNIT**



All cable connections should be made in the PSU enclosure, not within the keypad

