

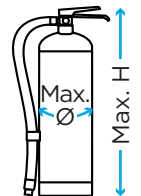
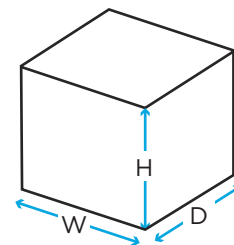
Fire Extinguisher Box (65 Series)





Technical Data



To select a colour, replace 'X' with one of the following:

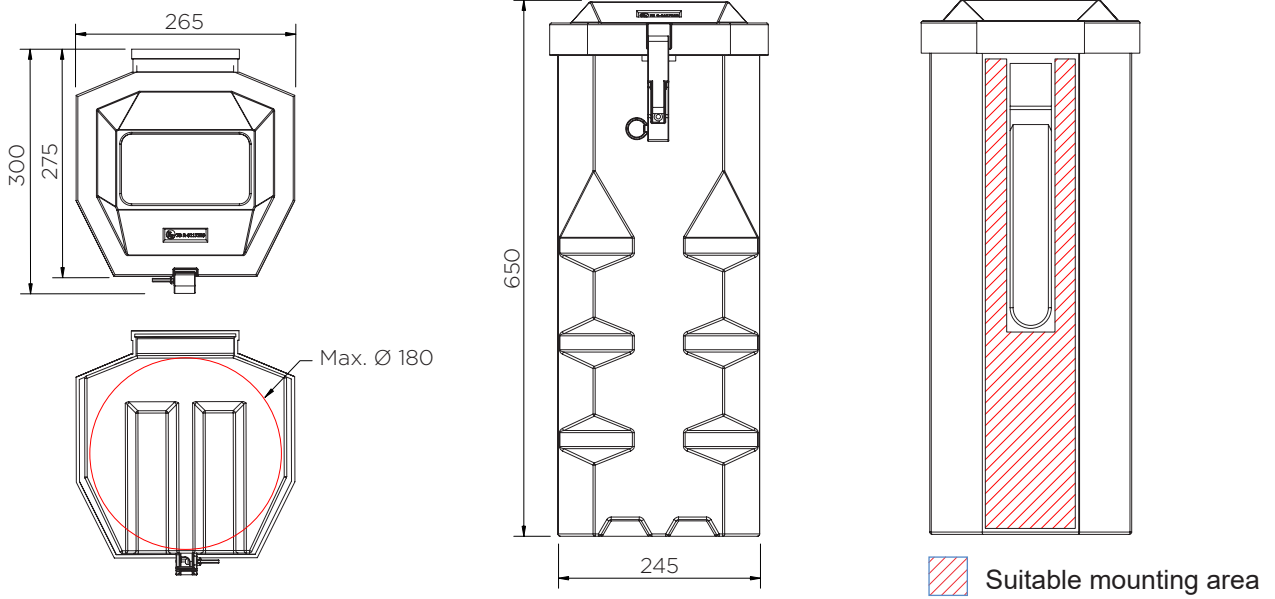
B: ● R: ● A: ●



	Colour options	H x W x D (mm)	Weight (kg)	Extinguisher (kg)	Max. Ø (mm)	Max. H (mm)	Labels
JBFX65	● ● ●	650 x 265 x 300	3.5	6	180	600	   

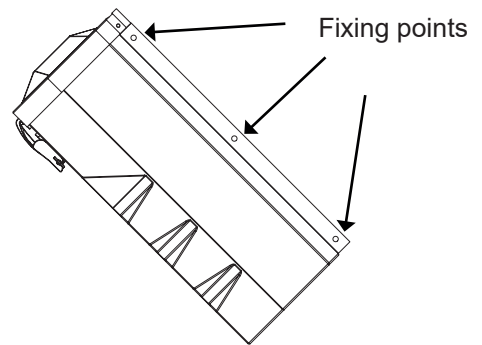
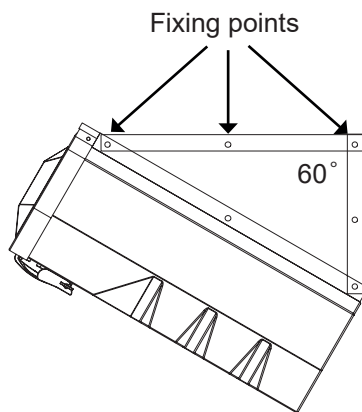
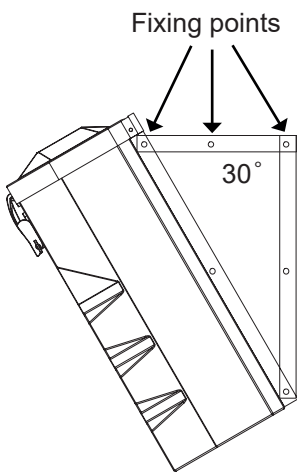
Fire Extinguisher Box (65 Series)

Technical Data



KIT55 - Mounting kit

KIT56 - Mounting kit



The extinguisher must not rest on top of the tension strap.

Fire Extinguisher Box (65 Series)

Technical Data



JBFX65

Pieces per pallet	56
20' container	448
40' high cube container	1008
13.6 m trailer	1232

The information is to our best knowledge true and accurate but all recommendations or suggestions are made without guarantee.