

## ADDRESSABLE CONVENTIONAL ZONE MODULE

### DESCRIPTION

The Addressable Conventional Zone Module provides a single input connection to monitor conventional type fire detection devices. It can be used to monitor external conventional detection devices such as beam detectors, smoke/heat detectors, duct detectors, etc. Head removal monitoring is provided for when used with devices fitted with suitable base diode (utilising a 10 to 22µF End Of Line (EOL) capacitor). The module is designed with a single colour red LED to indicate the zone status; continuous RED indicates that the input has been activated. Power for the conventional zone can be taken directly from the loop or via the addition of an external 24V DC PSU. Short circuit isolators are also built into the device in order to protect the system in the event of a cable fault.



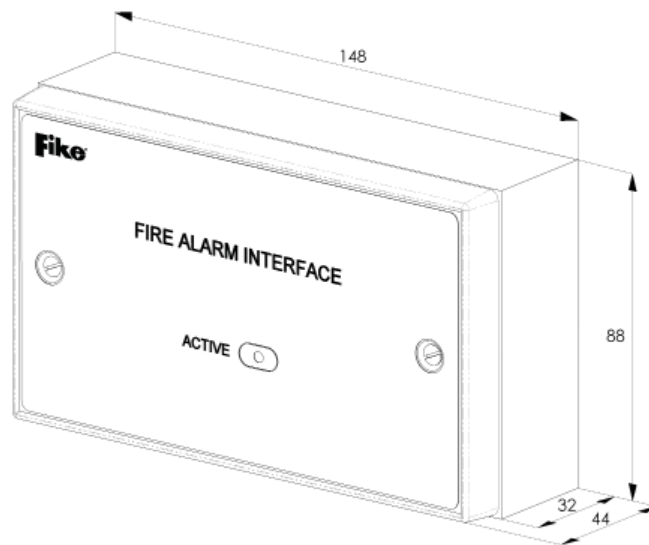
This module is compatible with Fike's SITA200plus, Duonet and Quadnet intelligent control panels. Its operating parameters are configured using the panel's programming software and are stored within the EEPROM in the device. This on-board intelligence allows each module to report and respond directly to the control panel without having to wait until it is polled. This enhanced digital protocol means less information is needed to be sent between the device and the host control panel, resulting in faster, more reliable communication.

### SPECIFICATIONS

Dimensions:	Overall: 148mm x 88mm x 44mm Back box: 48mm x 88mm x 32mm
Operating Temperature:	-10°C to +50°C
Voltage Range:	24V to 42V DC
LED Indication:	Input Activated: LED on
Zone:	EOL: 10 to 22µF capacitor
Firing Resistor:	680Ω
Max Zone Capacity:	20mA
System Compatibility:	SITA200plus: V4.00 onwards Duonet and Quadnet: V1 onwards
IP Rating:	IP21C
Loop Current @ 24V DC:	Powered via loop: Quiescent: 11.22mA Active: 48.75mA Powered via external PSU: Quiescent: 0.40mA Active: 7.09mA
Device Loading Unit Rating:	Powered via loop: 23.5 Powered via external PSU: 3.5

### ORDERING INFORMATION

Fike P/N	Description
803 0010	Conventional Zone Module



(All measurements shown are in millimeters)

#### TERMINAL DEFINITIONS

<b>LOOP +VE IN</b>	(+) Loop In	<b>EXT PSU +VE</b>	(+) Input from external 24V DC PSU
<b>LOOP 0V IN</b>	(-) Loop In	<b>EXT PSU 0V</b>	(-) Input from external 24V DC PSU
<b>LOOP SCRIN</b>	Loop Screen In	<b>ZONE +VE</b>	(+) Input from conventional zone/device
<b>LOOP SCRIN</b>	Loop Screen Out	<b>ZONE 0V</b>	(-) Input from conventional zone/device
<b>LOOP 0V OUT</b>	(-) Loop Out		
<b>LOOP +VE OUT</b>	(+) Loop Out		

