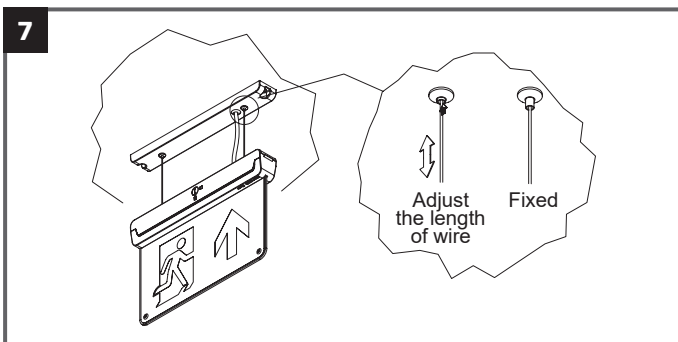
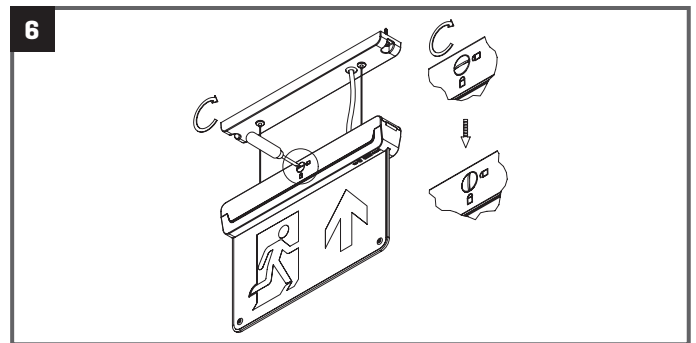
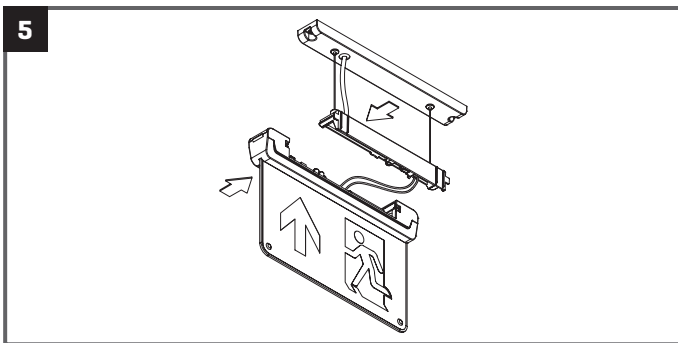
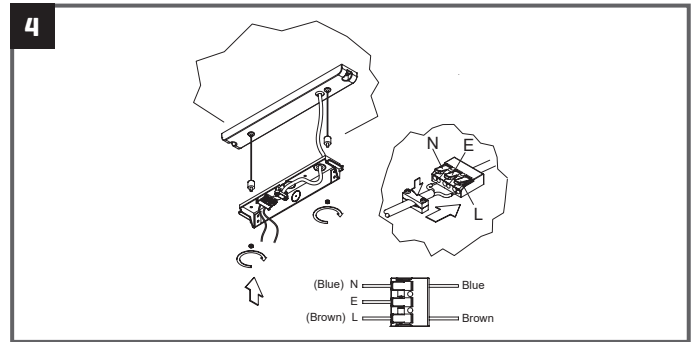
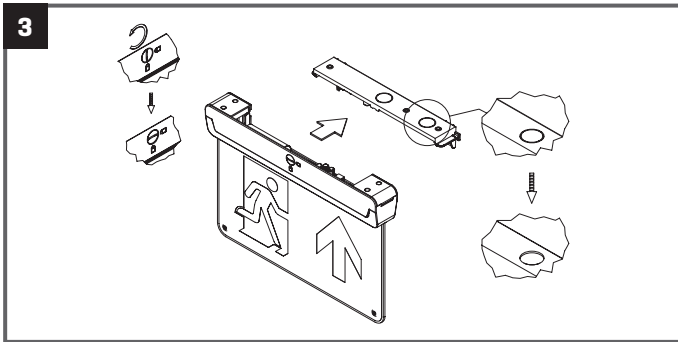
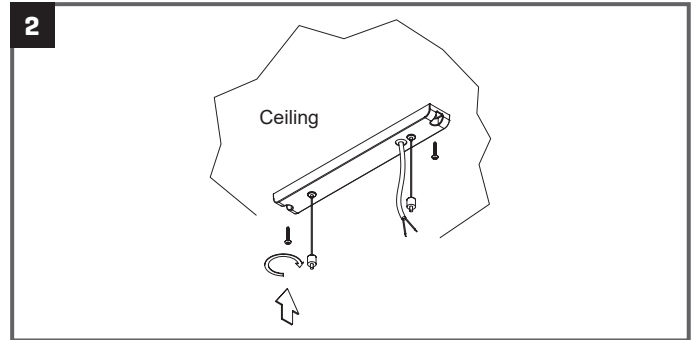
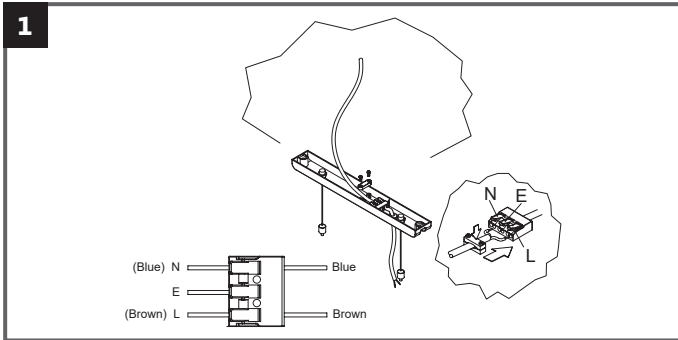


INSTALLATION INSTRUCTIONS

Supplementary Instructions for Athena Suspension Kit - ANA/SK

These instructions should be read in conjunction with the main installation instructions for Athena Exit Signs, to obtain full and complete details of the electrical connections and set up.

The installation should be carried out by a qualified electrician in compliance with the current edition of the IEE Wiring Regulations. Isolate the mains supply before carrying out any installation or maintenance work.



INS_EMERGENCY_0023_ANA_SK_V1