

STI Call Point Stopper®



STI-6930



STI-6930-G



STI-6930-Y

NEW COLOURS AVAILABLE



STI-6930-B



STI-6930-E



STI-6930-W

PRODUCT OVERVIEW

Protective cover helps prevent malicious or accidental damage to electrical switches and call points. The Call Point Stopper is an aesthetic, inexpensive cover which provides a secure fit to a wide range of electrical switches and call points. The cover prevents misuse to the device without restricting legitimate operation. It is ideal for shopping centres, hotels, schools, colleges, hospitals, nursing homes and all public buildings where there is a risk of malicious or accidental activation.

HOW IT WORKS

The Call Point Stopper consists of a clear, tamperproof, tough polycarbonate hinged cover that retrofits securely over the existing device. Simply lift the cover to gain access to the device. Once the cover is released the spring loaded hinge returns the cover to its original position.

KEY FEATURES

General Information

- Protective cover helps prevent malicious or accidental damage to electrical switches and call points.
- Three year guarantee against breakage of polycarbonate in normal use.

Design

- Prevents unwanted or accidental use, without hindering legitimate operation of a manual call point in the event of an emergency.
- Spring loaded hinge mechanism.

Construction

- Tough polycarbonate housing can withstand the severest of knocks.

Installation

- A simple 4 fixing installation can retrofit over existing device.
- Can accommodate flush or surface mounted applications.
- Typical working properties of polycarbonate are -40°C to 121°C (-40° to 250°F)

Options

- Available in a range of colours.
- Custom labelling available.

STI Call Point Stopper®

Dimensions and Technical Information

BUILD YOUR OWN MODEL

STI-693

Mounting Options:

0 = Flush Mounted
1 = Surface Mounted

Colour:

-Leave blank for Red (Eg. STI-6930-CL for a red, flush mount, custom label model)
-G = Green
-Y = Yellow
-B = Blue
-E = Orange
-W = White

Language:

-Leave blank for English (Eg. STI-6930 for a red, English, standard text model)
-DE = German
-FR = French
-ES = Spanish
-NL = Dutch

Text:

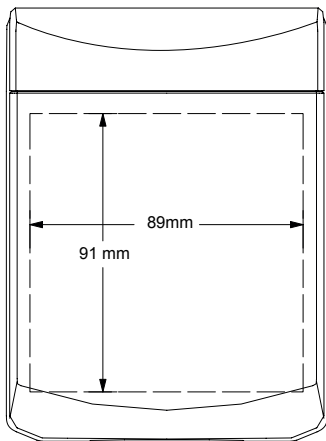
Leave blank for standard text:
-Red 'IN CASE OF FIRE - LIFT COVER BREAK GLASS'
-Green 'IN CASE OF EMERGENCY - LIFT COVER BREAK GLASS TO OPEN DOOR'
-Orange, Yellow, Blue & White 'IN CASE OF EMERGENCY LIFT COVER - OPERATE DEVICE'
For custom text add -CL

Accessories:

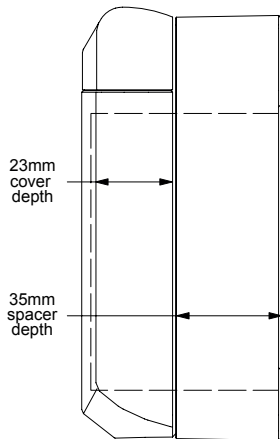
STI-6903 35mm spacer (supplied with STI-6931)

EXTERNAL DIMENSIONS (mm):

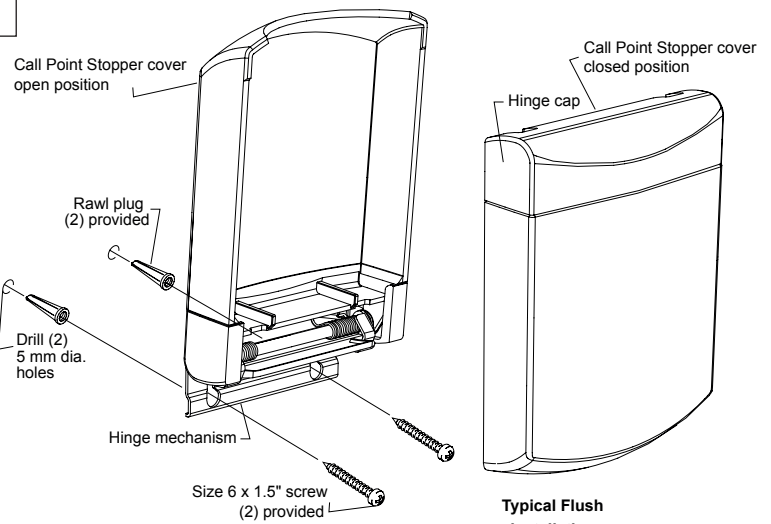
Mounting Option	Height	Width	Depth
Flush	142	106	31
Surface	142	106	66



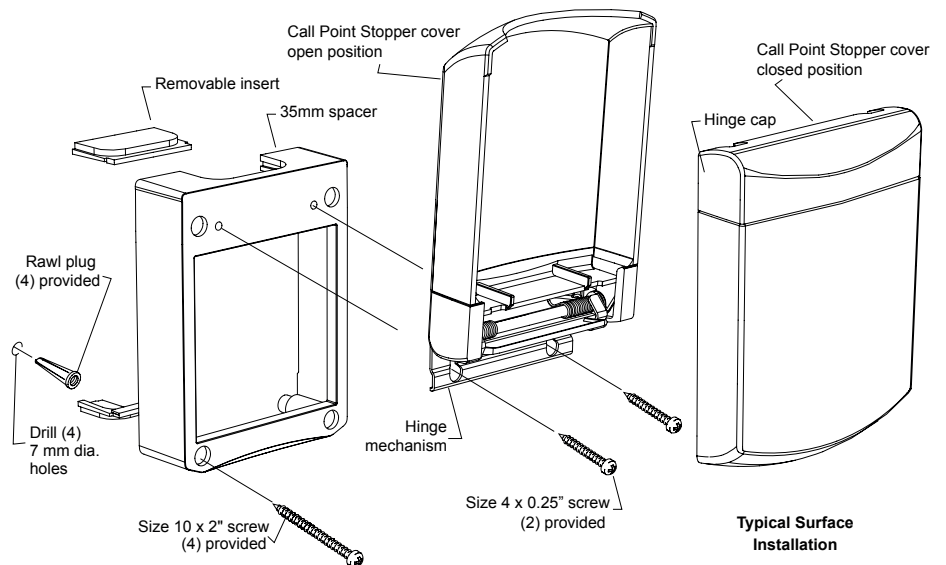
Front View



Side View



Typical Flush Installation



Typical Surface Installation



Safety Technology International

Taylor House
34 Sherwood Road
Bromsgrove
Worcestershire
B60 3DR, England

Tel: +44 (0)1527 520 999
Fax: +44 (0)1527 501 999
info@sti-emea.com
www.sti-emea.com

2306 Airport Road
Waterford, Michigan
48327, USA

Tel: 248-673-9898
Fax: 248-673-1246
Toll-free: 0800-888-4784
info@sti-usa.com
www.sti-usa.com