

# STI Exit Stopper®



## NEW FEATURES INCLUDE

- Visual flashing beacon alarm - to compliment the audible siren
- Choice of 21 language labels for use globally - self install
- Low Battery Warning Indicator
- Universal sound symbols and globally recognised on and off symbols

## PRODUCT OVERVIEW

The Exit Stopper is a unique and highly effective way to alert you to any unauthorised exits or entries through emergency exit doors. It can also serve as an inexpensive security device and help prevent theft. It is available in red or green and can be mounted or installed on almost any type of door, including remote placement of the sounder. The highly visible 'STOP' sign discourages unauthorised use of emergency doors.

## HOW IT WORKS

If the protected door is opened, the electronic Exit Stopper emits an ear piercing alarm for 30 seconds, 3 minutes or continuously (as preset by the user). A key operated override facility will silence the alarm and allow authorised exits. When the door is closed, a number of reset options are available including an automatic function. A variety of alarm durations and setup features are available (see User Programmable Features chart overleaf). The Exit Stopper is fitted with a 9V PP3 alkaline battery.

## KEY FEATURES

### General Information

- Prevent unauthorised exits and entries through emergency exit doors.
- Three year guarantee against breakage of polycarbonate in normal use (one year on electromechanical and electronic components).

### Design

- Compact design (136mm diameter and 50mm deep).
- Highly visible 'STOP' sign design acts as a deterrent.

### Construction

- Virtually indestructible polycarbonate cover is UV-stabilised.

### Installation

- Highly versatile; can be mounted or installed on any type of door, including remote placement of sounder.
- Can be installed and protecting doors in minutes.
- Stand alone alarm system.

### Electronics

- Powered by a 9V PP3 alkaline battery (included).
- Incorporates a 12/24 VDC connection.
- 40 milliamp 9 VDC trigger output.
- In exit alarm mode, alarm can be set to sound for 30 seconds, 3 minutes or indefinitely (unless disarmed with key supplied or until battery is drained).
- In annunciator mode, it announces door entry with a set of 10 beeps.
- May be programmed for 15 second entry delay or immediate alarm.
- Arming delay allows unit to arm following authorised exits.

### Options

- Variety of user programmable features.
- A key operated override facility will silence the alarm and allow authorised exits.
- Available in red and green.

### Remote Wireless Monitoring of Exit Doors

- You can be alerted to any vandalism or authorised use of a fire exit door in the event of an emergency. Upon activation, the Exit Stopper (when fitted with an optional transmitter and sounder) will emit a localised alarm as well as triggering the 4-Channel Voice Receiver (STI-V34104), providing a visual and audible indication, remotely.

# STI Exit Stopper®

Dimensions and Technical Information

## MODELS AVAILABLE

<b>STI-6400</b>	Exit Stopper - Red
<b>STI-6400-G</b>	Exit Stopper - Green
<b>STI-6402</b>	Exit Stopper - for double door installation
<b>STI-6402-G</b>	Exit Stopper - for double door installation - Green
<b>STI-6405</b>	Exit Stopper - with momentary reset
<b>STI-6400WIR</b>	Wireless Exit Stopper - Red
<b>STI-V6400WIR4</b>	Wireless Exit Stopper - Red with 4-Channel Voice Receiver
<b>STI-6402WIR</b>	Wireless Exit Stopper - Red for double door installation

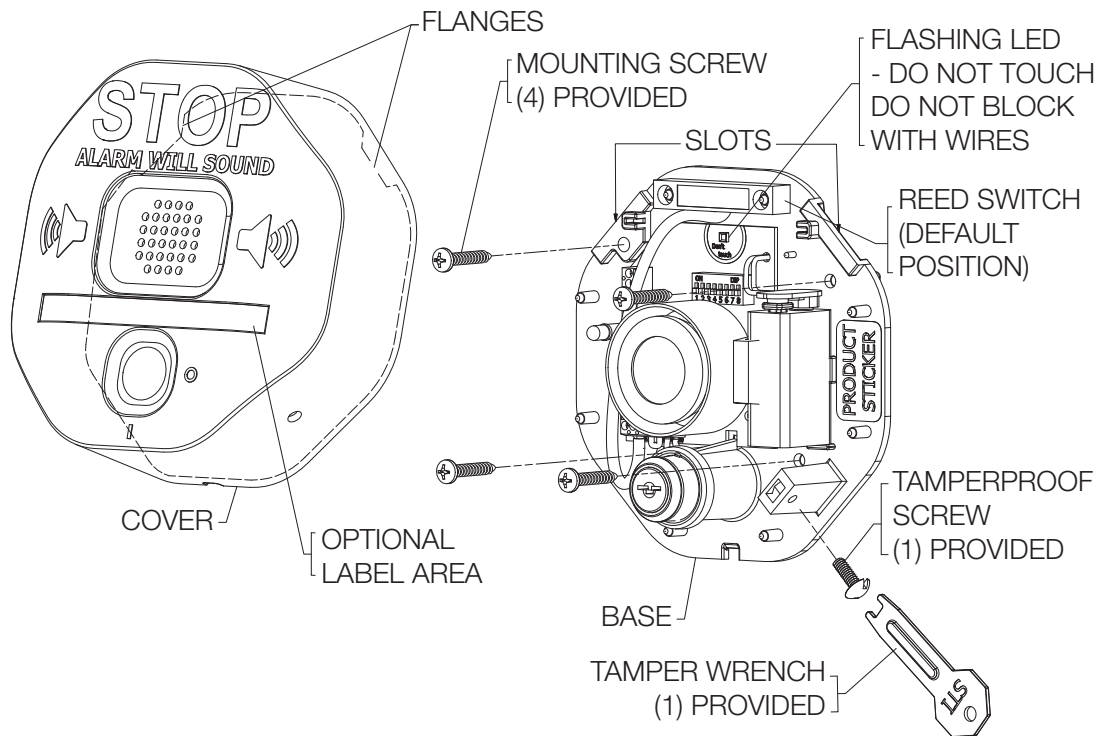
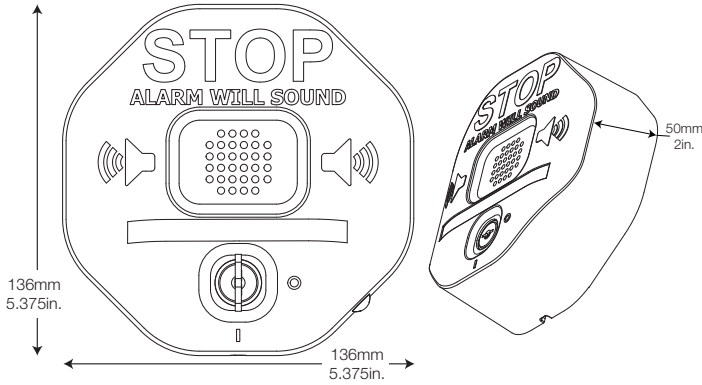
### Accessories:

<b>STI-6400-RK</b>	Remote installation kit - white
<b>KIT-6403</b>	Remote 95/105 dB sounder - red
<b>STI-V34104</b>	4-Channel Voice Receiver
<b>KIT-H19032</b>	Replacement keys (x2)
<b>L6400</b>	Warning "Door Alarmed" label
<b>KIT-H19016</b>	Tamper proof screw and wrench

## SPECIFICATIONS

<b>Housing</b>	3mm polycarbonate
<b>Power Source</b>	9 VDC Alkaline (or 12-24 VDC wired)
<b>Sounder Output (at 1 metre)</b>	95 dB - low / 105 dB - high
<b>Relay Output</b>	9 VDC, 40mA
<b>Dimensions</b>	136mm W x 136mm H x 50mm D (5.375 in. x 5.375 in. x 2 in.)
<b>Alarm Current</b>	200mA
<b>Standby Current</b>	10uA
<b>Recommended Operating Temperature</b>	0°C to 45°C (32°F to 113°F)

SWITCH SETTINGS	1	2	3	4	5	6	7	8
Arming - immediate	OFF*							
Arming - 15 second delay	ON							
Trip - immediate		OFF*						
Trip - 15 second delay		ON						
Shut-off based on duration (switches 4 & 5)			OFF*					
Shut-off approx. 3 sec. after door closes			ON					
Duration - 30 second alarm				OFF*	OFF*			
Duration - 180 second alarm				OFF	ON			
Duration - continuous alarm				ON	OFF			
Duration - annunciator mode				ON	ON			
Low battery detection $\odot$ ON						OFF*		
Low battery detection $\odot$ OFF						ON		
Volume - High							ON*	
Volume - Low							OFF*	
Relay Function $\odot$ OFF								OFF*
Relay Function $\odot$ ON								ON



**Safety Technology International**

Taylor House  
34 Sherwood Road  
Bromsgrove  
Worcestershire  
B60 3DR, England

Tel: +44 (0)1527 520 999  
Fax: +44 (0)1527 501 999  
info@sti-emea.com  
www.sti-emea.com

2306 Airport Road  
Waterford, Michigan  
48327, USA

Tel: 248-673-9898  
Fax: 248-673-1246  
Toll-free: 0800-888-4784  
info@sti-usa.com  
www.sti-usa.com